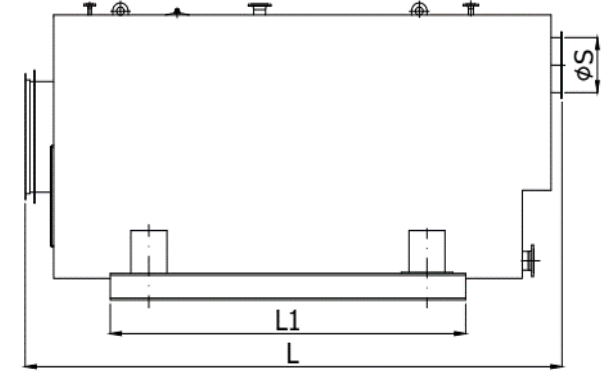
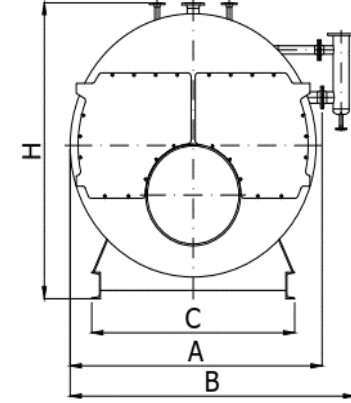


<b>Heaton®</b>		<b>TYPE</b>	<b>TPS15</b>	<b>TPS20</b>	<b>TPS25</b>	<b>TPS30</b>	<b>TPS40</b>	<b>TPS50</b>	<b>TPS60</b>
ANMA ISI GÜCÜ		Kcal/h	315,000	420,000	600,000	700,000	960,000	1,200,000	1,440,000
HEAT OUTPUT		kW	366	488	698	814	1,116	1,395	1,674
BUHAR KAPASİTESİ		kg/h	525	700	1,000	1,200	1,600	2,000	2,400
STEAM OUTPUT		t/h	0.525	0.7	1	1.2	1.6	2	2.4
A		mm	1,600	1,600	1750	1,750	1,950	2,050	2,170
B		mm	1,850	1,850	2000	2,000	2,200	2,300	2,500
C		mm	1,060	1,060	1,275	1,275	1,300	1,350	1,500
H		mm	1,700	1,700	1885	1,885	2,150	2,200	2,350
L		mm	2,330	2,500	2550	2,720	3,000	3,460	4,000
L1		mm	1,400	1,500	1,250	1,275	2,000	2,300	2,500
ØS		mm	250	300	350	350	400	450	450
Buhar Çıkışı SteamOutlet DN	6-8 Bar	PN16	40	50	65	65	80	80	100
	10-12 Bar	PN25	32	40	50	50	65	65	80
	14-16 Bar	PN25	32 / 25	32/32	32/32	40/40	40/40	40/40	40/40
Yakıt Miktarı (Gaz) Consumption (Gas)		Nm <sup>3</sup> /h	41.50	55.34	79.05	92.23	126.48	158.10	189.72
Karşı Basınç Counter Pressure		mbar	3.5	4	4	4.5	4.5	4.75	4.75
Su Hacmi Water Volume		m <sup>3</sup>	1.52	1.83	2.35	2.58	2.95	3.75	4.45



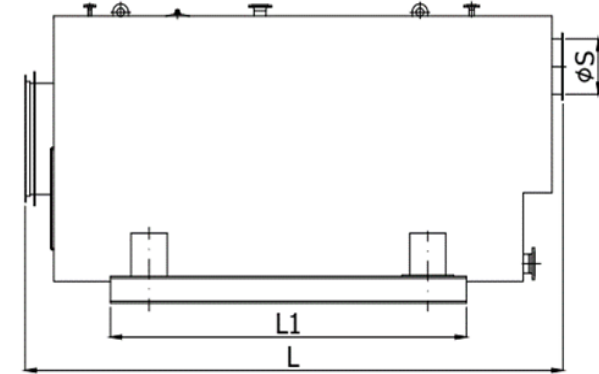
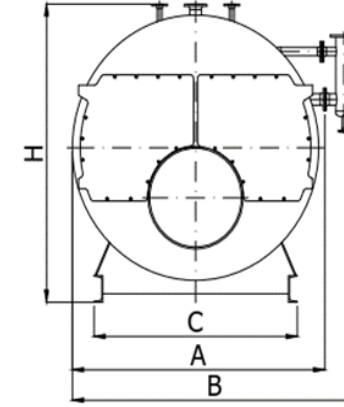
itimat Kazan ve Makine Sanayi Müşterilerimizin memnuniyeti ve ürün kalitesini arttırmak için sürekli çalışmaktadır. Bu sebeple verilen tüm teknik özellikler haber verilmeksizin değiştirilebilir.

We have been continuously working on increasing our customers satisfaction and our product range and capacity. For this reason all technical specialities can be changed without notice.

Tabloda bulunmayan kapasiteler için lütfen bizi arayın.

For the capacity you are requiring , please contact directly to our company.

<b>Heaton®</b>		<b>TYPE</b>	<b>TPS80</b>	<b>TPS100</b>	<b>TPS125</b>	<b>TPS150</b>	<b>TPS175</b>	<b>TPS200</b>
ANMA ISI GÜCÜ		Kcal/h	1,920,000	2,400,000	3,225,000	3,870,000	4,515,000	5,400,000
HEAT OUTPUT		kW	2,233	2,791	3,750	4,500	5,250	6,279
BUHAR KAPASİTESİ		kg/h	3,200	4,000	5,375	6,450	7,525	9,000
STEAM OUTPUT		t/h	3.2	4	5.375	6.45	7.525	9
A		mm	2,170	2,170	2,170	2,170	2,650	2,650
B		mm	2,500	2,500	2,500	2,500	2,950	2,950
C		mm	1,650	1,650	1,650	1,650	1,750	1,750
H		mm	2,350	2,350	2,350	2,350	2,750	2,750
L		mm	4,500	5,600	5,900	7,150	6,760	6,900
L1		mm	2,750	3,000	3,500	4,500	4,000	4,000
ØS		mm	500	550	550	550	750	800
Buhar Çıkışı SteamOutlet DN	6-8 Bar	PN16	100	125	150	150	150	200
	10-12 Bar	PN25	80	100	125	125	125	150
	14-16 Bar	PN25	40/40	50/50	65/50	65/65	65/65	65/65
Yakıt Miktarı (Gaz) Consumption (Gas)		Nm <sup>3</sup> /h	252.96	316.21	424.90	509.88	594.86	711.46
Karşı Baskı Counter Pressure		mbar	4.75	4.75	4.75	4.75	4.75	6
Su Hacmi Water Volume		m <sup>3</sup>	5.85	6.35	7.89	9.96	12.25	15.37



İtimat Kazan ve Makine Sanayi Müşterilerimizin memnuniyeti ve ürün kalitesini arttırmak için sürekli çalışmaktadır. Bu sebeple verilen tüm teknik özellikler haber verilmeksizin değiştirilebilir.

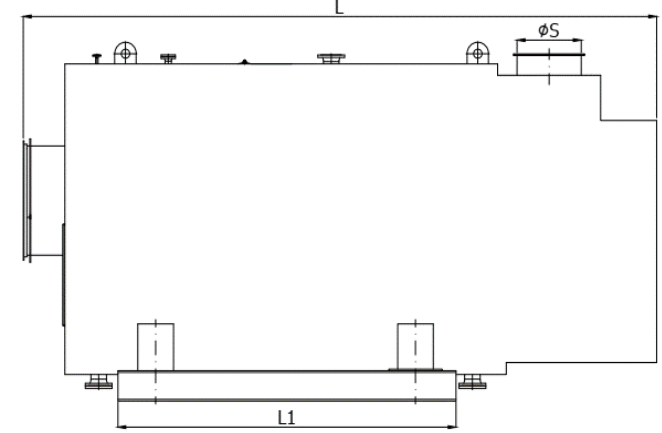
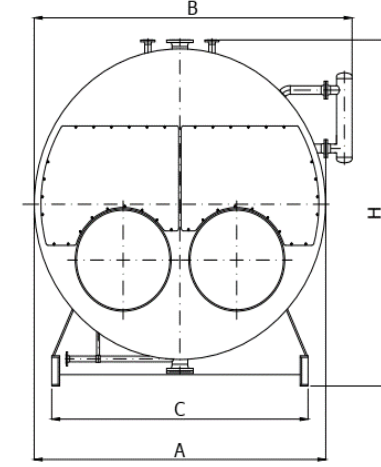
We have been continuously working on increasing our customers satisfaction and our product range and capacity. For this reason all technical specialities can be changed without notice.

Tabloda bulunmayan kapasiteler için lütfen bizi arayın.

For the capacity you are requiring , please contact directly to our company.

<b>Heaton®</b>		<b>TYPE</b>	<b>TPS250</b>	<b>TPS300</b>	<b>TPS350</b>	<b>TPS400 (*)</b>	<b>TPS450 (*)</b>	<b>TPS500 (*)</b>
ANMA ISI GÜCÜ		Kcal/h	6,750,000	8,100,000	9,600,000	10,800,000	12,150,000	15,000,000
HEAT OUTPUT		kW	7,849	9,419	11,163	12,558	14,128	17,442
BUHAR KAPASİTESİ		kg/h	11,250	13,500	16,000	18,000	20,250	25,000
STEAM OUTPUT		t/h	11.25	13.5	16	18	20.25	25
A		mm	3,100	3,250	3,250	4,000	4,000	4,100
B		mm	3,400	3,570	3,570	4,380	4,750	4,850
C		mm	2,000	2,500	2,500	3,200	3,400	3,500
H		mm	3,200	3,380	3,380	4,250	4,450	4,560
L		mm	7,000	7,000	7,700	7,800	7,900	8,600
L1		mm	4,500	5,000	6,000	5,200	5,300	4,800
ØS		mm	900	900	1,000	1,100	1,100	1,200
Buhar Çıkışı Steam Outlet DN	6-8 Bar	PN16	250	300	300	300	350	400
	10-12 Bar	PN25	200	250	250	250	300	300
	14-16 Bar	PN25	150	200	200	200	250	250
Yakıt Miktarı (Gaz) Consumption (Gas)		Nm <sup>3</sup> /h	889.33	1,067.19	1,264.82	1,422.92	1,600.79	1,976.28
Karşı Baskı Counter Pressure		mbar	6	6	6	8	8	8
Su Hacmi Water Volume		m <sup>3</sup>	21	28	29.6	34.32	33.5	39

(\*) çift Külhan ( Double Furnace)



İtimat Kazan ve Makine Sanayi Müşterilerimizin memnuniyeti ve ürün kalitesini arttırmak için sürekli çalışmaktadır. Bu sebeple verilen tüm teknik özellikler haber verilmeksizin değiştirilebilir.

We have been continuously working on increasing our customers satisfaction and our product range and capacity. For this reason all technical specialities can be changed without notice.

Tabloda bulunmayan kapasiteler için lütfen bizi arayın.

For the capacity you are requiring , please contact directly to our company.